

X130

X130 P910024 00002
 X130 EF P910025 00002
 X130 P P910026 00002
 X130 PEF P910027 00002



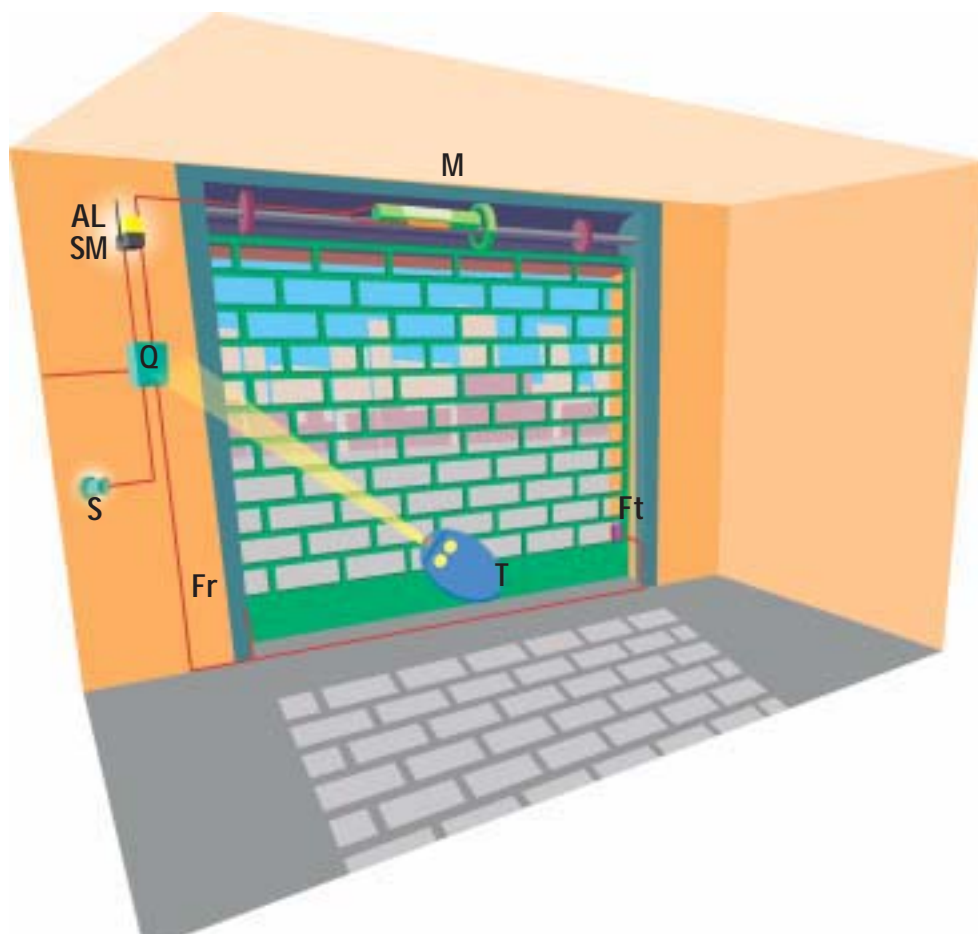
Recommended control panel
 CAPRI TCA

- **Simple to install**, X130 is the ideal operator for balanced roll-up doors.
- **Incorporated electric limit switches**, which can be regulated both on opening and closing.
- Also available with **electric brake**.
- **Control panel preset** for management by means of EElink protocol.
- Possible commands available for **centralised closing**, (with control panels CAPRI RIC ou CAPRI).



Operators	X 130	X 130 EF	X 130 P	X 130 PEF
Single-phase power supply	230V- ± 10%, 50 Hz	230V- ± 10%, 50 Hz	230V- ± 10%, 50 Hz	230V- ± 10%, 50 Hz
Absorbed power	300W	300W	300W	300W
Thermal protection	160°C(self-resetting)	160°C(self-resetting)	160°C(self-resetting)	160°C(self-resetting)
Max capacity (balanced roll-up door)	2000 N (~200kg)	1800N (~180kg)	2200 N (~220kg)	2200 N (~220kg)
Output revolutions	12 min ⁻¹	12 min ⁻¹	12 min ⁻¹	12 min ⁻¹
Output torque	125 Nm (~12,5 kgm)	114 Nm (~11,4 kgm)	125 Nm (~12,5 kgm)	114 Nm (~11,4 kgm)
Pulley diameter	220 mm	220 mm	200 mm	200 mm
Shaft diameter	60 mm (42 e 48 mm with the optional CS adapters)	60 mm (42 e 48 mm with the optional CS adapters)	60 mm (42 e 48 mm with the optional CS adapters)	60 mm (42 e 48 mm with the optional CS adapters)
Torque for reversibility (brake not fitted or released)	4 Nm	4 Nm	4 Nm	4 Nm
Type of limit switches	electric, incorporated, adjustable	electric, incorporated, adjustable	electric, incorporated, adjustable	electric, incorporated, adjustable
N° manoeuvres in 24 hours	10	10	10	10
Environmental conditions	from -10°C to +50°C	from -10°C to +50°C	from -10°C to +50°C	from -10°C to +50°C
Degree of protection	IP 20	IP 20	IP 20	IP 20
Operator weight	60N (~6KG)	60N (~6KG)	60N (~6KG)	60N (~6KG)
Dimensions	See drawing	See drawing	See drawing	See drawing

Electromechanical operator for balanced roll-up doors up to 16 sq m, weighing up to 220 kg

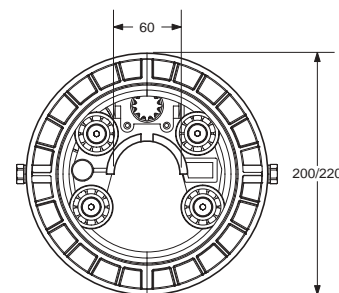
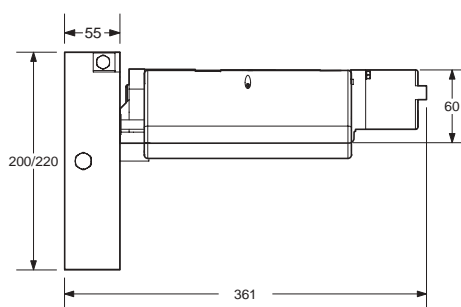


Example of installation

M operator X130 EF
Q control panel, CAPRI TCA
T double-channel rolling-code transmitter, Mitto 2 12V
Ft-Fr Pair of photocells, Cellula130
S key selector, Intro
AL blinker with antenna
SM Wall-mounted support for blinkers SLM2

• For system layout and installation conditions, refer to the standards and laws in force in the country of installation.

Dimensions



Main characteristics

Electromechanical operator for the automation of balanced roll-up doors • incorporated opening and closing limit switches • recommended control panel: CAPRI or CAPRI TCA model • Main specifications: supply 230V \pm 10% 50Hz • power 300W • Models available: X130, reversible, pulley diameter 220mm, shaft diameter 60mm • X130 EF, irreversible, pulley diameter 220mm, shaft diameter 60mm • X130 P, reversible, pulley diameter 200mm, shaft diameter 60mm • X130 EF P irreversible, pulley diameter 200mm, shaft diameter 60 mm.